

Installation Switch

Series 8030/51



- > Available as
 - 2 pole OFF switch or
 - Changeover switch
- > Robust moulded plastic enclosure
- > Large, fluorescent turning handle
- > Degree of protection IP65

E3

www.stahl.de



10035E00

The installation switches Series 8030/51 are used for lighting installations. The switch position is shown unambiguously by the 90° position. This is especially convenient if lights and switch are in different rooms. The fluorescent turning handle can be useful in the case of a power failure.

	ATEX / IECEx					
Zone	0	1	2	20	21	22
For use in		x	x		x	x

Explosion Protection

Global (IECEx)

Gas and dust	IECEx PTB 06.0074 Ex de IIC T6 Ex tD A21 IP65 T80°C
--------------	---

Europe (ATEX)

Gas and dust	PTB 02 ATEX 1026 II 2 G Ex de IIC T6 II 2 D Ex tD A21 IP65 T80°C
--------------	--

Certificates and approvals

Certificates	IECEx, ATEX, China (China-Ex), India (PESO), Kazakhstan (GOST K), Korea (KCs), Russia (GOST R), Taiwan (ITRI), Ukraine (TR), Belarus (operating authorisation)
--------------	--

WebCode 8030A

Installation Switch

Series 8030/51

Selection Table

Version	Description	Circuit diagram	Order number	Weight kg
Installation Switch Series 8030/51	OFF switch		8030/51-033	0.600
	Changeover switch		8030/51-035	0.615

Technical Data

Electrical data

Rated operational voltage	690 V AC, 250 V DC		
Switching capacity	AC-1	16 A	690 V
	AC-15	16 A	415 V
	AC-3	8 A	500 V
	AC-3	4 A	690 V
	DC-1	10 A	24 V
	DC-1	6 A	60 V
	DC-1	6 A	110 V
	DC-1	6 A	220 V
			2 contacts connected in series
			3 contacts connected in series
Number of poles	2-pole		

Ambient conditions

Ambient temperature	- 40 ... + 60 °C (- 50 ... + 60 °C on request)
---------------------	--

Mechanical data

Degree of protection	IP65
Material	
Enclosure	Polyester
Cover	Polyamide
Service life	≥ 10 ⁶ operations
Cover fixing	4 x M4 x 22 stainless steel countersunk head screw

Mounting / Installation

Cable entry	1 x M25 x 1.5 cable gland 2 x M25 x 1.5 stopping plug
Terminals	finely stranded: 1.5 ... 2.5 mm ² single-wire: 1.5 ... 4.0 mm ²

Accessories and Spare Parts

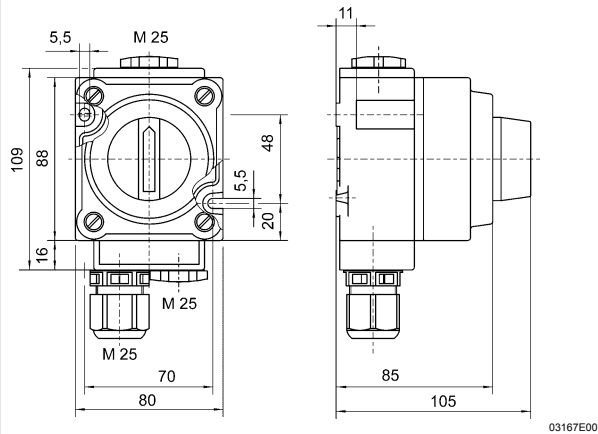
Designation	Illustration	Description	Art. no.	Weight kg	
Switch		OFF switch	for installation switch 8030/51-033	128441	0.128
		Changeover switch	for installation switch 8030/51-035	128450	0.128
Cable glands		8161/5-M25-17	1 piece	138520	0.020

Installation Switch

Series 8030/51



Dimensional Drawings (All Dimensions in mm) - Subject to Alterations



8030/51 Installation switch

We reserve the right to make alterations to the technical data, dimensions, weights, designs and products available without notice. The illustrations cannot be considered binding.